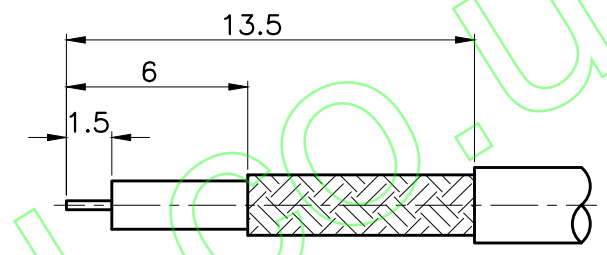
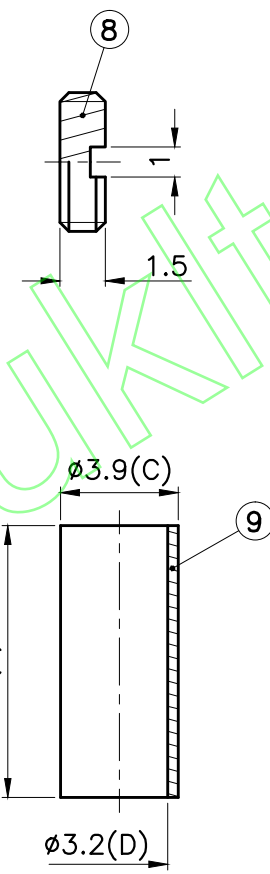
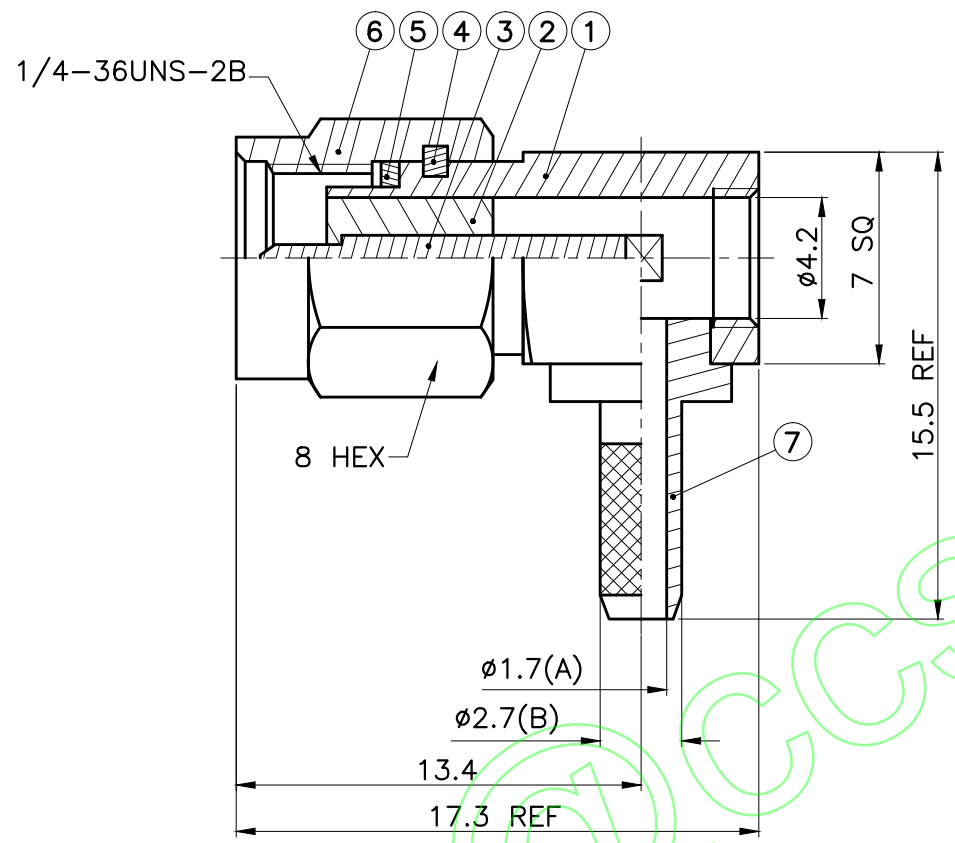


REVISIONS	
ISS	DESCRIPTION \ DATE

RoHS COMPLIANT



RECOMMENDED CABLE STRIPPING DIM'S

1. CRIMPED FERRULE
HEX CRIMP SIZE .128"
2. CONTACT PIN TO SOLDER



TITLE: SMA MALE RIGHT ANGLE CRIMP
 PART NO: SMAPRACS174
 DRAWING NO: 029

APRD: _____
 CHKD: _____
 DR: _____

UNLESS OTHERWISE SPECIFIED TOLERANCES
 0.5-6 = ±0.2
 >6-30 = ±0.4
 >30-120 = ±0.6
 >120-315 = ±1
 >315-1000 = ±1.6
 ANGLES = ±5°

DATE: 11/19/09" UNIT: mm
 SHEET: . SCALE: 4/1

NO.	DESCRIPTION	MATERIAL	FINISH
9	FERRULE	BRASS	GOLD
8	SPIGOT	BRASS	GOLD
7	BODY	BRASS	GOLD
6	SHELL	BRASS	GOLD
5	GASKET	RUBBER	RED
4	C RING	BRASS	NONE
3	CONTACT PIN	BRASS	GOLD
2	INSULATOR	TEFLON	WHITE
1	BODY	BRASS	GOLD